

YAMAHA

AX-492/592/892

Natural Sound Stereo Amplifier

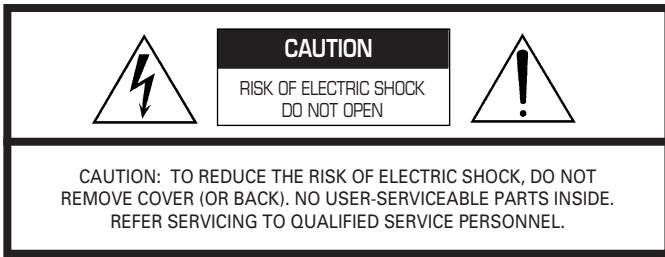
Amplificateur stéréo de la série "Natural Sound"

Thank you for selecting this YAMAHA stereo amplifier.

Nous vous remercions d'avoir porté votre choix sur cet amplificateur stéréo YAMAHA.

**OWNER'S MANUAL
MODE D'EMPLOI**

SAFETY INSTRUCTIONS



• Explanation of Graphical Symbols



The lightning flash with arrowhead symbol, within an equilateral triangle, is intended to alert you to the presence of uninsulated "dangerous voltage" within the product's enclosure that may be of sufficient magnitude to constitute a risk of electric shock to persons.



The exclamation point within an equilateral triangle is intended to alert you to the presence of important operating and maintenance (servicing) instructions in the literature accompanying the appliance.

WARNING

TO REDUCE THE RISK OF FIRE OR ELECTRIC SHOCK, DO NOT EXPOSE THIS UNIT TO RAIN OR MOISTURE.

IMPORTANT!

Please record the serial number of this unit in the space below.

Model:

Serial No.:

The serial number is located on the rear of the unit. Retain this Owner's Manual in a safe place for future reference.

- 1 Read Instructions – All the safety and operating instructions should be read before the unit is operated.
- 2 Retain Instructions – The safety and operating instructions should be retained for future reference.
- 3 Heed Warnings – All warnings on the unit and in the operating instructions should be adhered to.
- 4 Follow Instructions – All operating and other instructions should be followed.
- 5 Water and Moisture – The unit should not be used near water – for example, near a bathtub, washbowl, kitchen sink, laundry tub, in a wet basement, or near a swimming pool, etc.
- 6 Carts and Stands – The unit should be used only with a cart or stand that is recommended by the manufacturer.
- 6A A unit and cart combination should be moved with care. Quick stops, excessive force, and uneven surfaces may cause the unit and cart combination to overturn.
- 7 Wall or Ceiling Mounting – The unit should be mounted to a wall or ceiling only as recommended by the manufacturer.
- 8 Ventilation – The unit should be situated so that its location or position does not interfere with its proper ventilation. For example, the unit should not be situated on a bed, sofa, rug, or similar surface, that may block the ventilation openings; or placed in a built-in installation, such as a bookcase or cabinet that may impede the flow of air through the ventilation openings.
- 9 Heat – The unit should be situated away from heat sources such as radiators, stoves, or other appliances that produce heat.
- 10 Power Sources – The unit should be connected to a power supply only of the type described in the operating instructions or as marked on the unit.
- 11 Power-Cord Protection – Power-supply cords should be routed so that they are not likely to be walked on or pinched by items placed upon or against them, paying particular attention to cords at plugs, convenience receptacles, and the point where they exit from the unit.
- 12 Cleaning – The unit should be cleaned only as recommended by the manufacturer.
- 13 Nonuse Periods – The power cord of the unit should be unplugged from the outlet when left unused for a long period of time.
- 14 Object and Liquid Entry – Care should be taken so that objects do not fall into and liquids are not spilled into the inside of the unit.
- 15 Damage Requiring Service – The unit should be serviced by qualified service personnel when:
 - A. The power-supply cord or the plug has been damaged; or
 - B. Objects have fallen, or liquid has been spilled into the unit; or
 - C. The unit has been exposed to rain; or
 - D. The unit does not appear to operate normally or exhibits a marked change in performance; or
 - E. The unit has been dropped, or the cabinet damaged.
- 16 Servicing – The user should not attempt to service the unit beyond those means described in the operating instructions. All other servicing should be referred to qualified service personnel.
- 17 Power Lines – An outdoor antenna should be located away from power lines.
- 18 Grounding or Polarization – Precautions should be taken so that the grounding or polarization is not defeated.



FCC INFORMATION

1. IMPORTANT NOTICE : DO NOT MODIFY THIS UNIT!

This product, when installed as indicated in the instructions contained in this manual, meets FCC requirements. Modifications not expressly approved by Yamaha may void your authority, granted by the FCC, to use the product.

2. IMPORTANT : When connecting this product to accessories and/or another product use only high quality shielded cables. Cable/s supplied with this product MUST be used. Follow all installation instructions. Failure to follow instructions could void your FCC authorization to use this product in the USA.

3. NOTE : This product has been tested and found to comply with the requirements listed in FCC Regulations, Part 15 for Class "B" digital devices. Compliance with these requirements provides a reasonable level of assurance that your use of this product in a residential environment will not result in harmful interference with other electronic devices.

This equipment generates/uses radio frequencies and, if not installed and used according to the instructions found in the users manual, may cause interference harmful to the operation of other electronic devices.

Compliance with FCC regulations does not guarantee that interference will not occur in all installations. If this product is found to be the source of interference, which can be determined by turning the unit "OFF" and "ON", please try to eliminate the problem by using one of the following measures:

Relocate either this product or the device that is being affected by the interference.

Utilize power outlets that are on different branch (circuit breaker or fuse) circuits or install AC line filter/s.

In the case of radio or TV interference, relocate/reorient the antenna. If the antenna lead-in is 300 ohm ribbon lead, change the lead-in to coaxial type cable.

If these corrective measures do not produce satisfactory results, please contact the local retailer authorized to distribute this type of product. If you can not locate the appropriate retailer, please contact Yamaha Electronics Corp., U.S.A. 6660 Orangethorpe Ave, Buena Park, CA 90620.

The above statements apply ONLY to those products distributed by Yamaha Corporation of America or its subsidiaries.

We Want You Listening For A Lifetime (for US customers only)

YAMAHA and the Electronic Industries Association's Consumer Electronics Group want you to get the most out of your equipment by playing it at a safe level. One that lets the sound come through loud and clear without annoying blaring or distortion – and, most importantly, without affecting your sensitive hearing.

Since hearing damage from loud sounds is often undetectable until it is too late, YAMAHA and the Electronic Industries Association's Consumer Electronics Group recommend you to avoid prolonged exposure from excessive volume levels.



CONTENTS

Supplied accessories	4
Connections	6
Controls and their functions	12
Remote control	14
Basic operations	16
Troubleshooting	20
Specifications	21

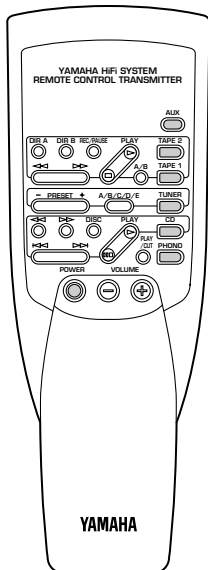
FEATURES

- **AX-492** 85W + 85W (8Ω) RMS Output Power, 0.019% THD, 20–20,000 Hz
- **AX-592** 100W + 100W (8Ω) RMS Output Power, 0.015% THD, 20–20,000 Hz
- **AX-892** 115W + 115W (8Ω) RMS Output Power, 0.015% THD, 20–20,000 Hz
- High Dynamic Power, Low Impedance Drive Capability
- Continuously Variable Loudness Control
- CD DIRECT AMP switch: used to reproduce the purest CD sound
- PURE DIRECT switch: used to reproduce the purest source sound
- SUBSONIC FILTER switch; used to eliminate undesirable ultra-low-frequency signals (AX-592 and AX-892 only)
- PRE OUT/MAIN IN terminals; useful for connecting an equalizer, sound processor, etc. (AX-592 and AX-892 only)
- Remote control capability

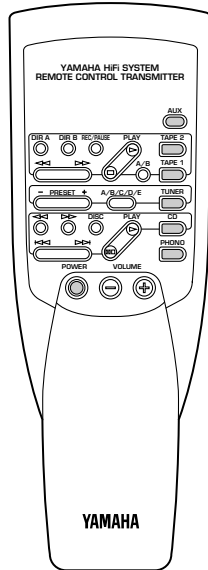
Supplied accessories

- After unpacking, check that the following accessories are included.

- Remote Control Transmitter

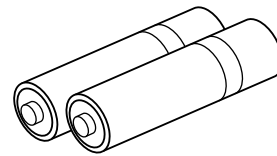


AX-592/892



AX-492

- Batteries (size AA, R6, UM-3)



CAUTION: READ THIS BEFORE OPERATING YOUR UNIT.

- To assure the finest performance, please read this manual carefully and keep it in a safe place for future use.
- Install this unit in a cool, dry and dust-free area. Do not place it in direct sunlight or near sources of heat (e.g., a stove, etc.). Make sure that it is well ventilated and not exposed to rain or moisture and that it is on a flat, stable surface, free from vibration.
- Never open the cabinet. If something drops into the unit, contact your dealer.
- When moving the unit, first disconnect the AC power plug and the cables which are connected to other equipment. Never pull the cables or use excessive force on switches or controls.
- The openings on the cabinet assure proper ventilation of the unit. If these openings are obstructed, the temperature inside the cabinet will rise rapidly, damaging the unit or causing a fire. Avoid blocking the ventilation openings and make sure that the unit is well ventilated. Allow at least 30 cm (12 in) of space above the unit and 20 cm (8 in) of space on the sides and rear.
- Always set the VOLUME control to "∞" before playing the source. Increase the volume gradually to a desired level after the source has started playing.
- Use a clean, dry cloth to clean the unit. Do not use chemical solvents which might damage the finish.
- Be sure to read the "TROUBLESHOOTING" section before deciding that the unit is faulty.
- When not planning to use this unit for long periods of time (e.g., vacation, etc.), disconnect the AC power plug from the electrical outlet.
- To prevent damage from lightning, disconnect the AC power plug and antenna cable when there is an electrical storm.
- Make sure that the unit is always properly grounded and polarized.
- Do not connect audio equipment to the AC outlet on the rear panel if the equipment requires more power than the outlet is rated to provide.

- Voltage Selector (General Model only)**
The voltage selector on the rear panel of this unit must be set for your local main voltage *before* plugging into the electrical outlet.
Voltages are 110/120/220/240 V AC, 60/50 Hz.

WARNING

To reduce the risk of fire or electric shock, do not expose the unit to rain or moisture.

IMPORTANT

The serial number is located on the rear panel. Please record the serial number of this unit in the space below.

Serial No.:

Keep this Owner's Manual in a safe place for future use.

Note

The unit is not disconnected from the AC power source as long as it is connected to the electrical outlet, even if the unit itself is turned off.

CAUTION (FOR CANADA MODEL)

TO PREVENT ELECTRIC SHOCK, MATCH WIDE BLADE OF PLUG TO WIDE SLOT AND FULLY INSERT.

FOR CANADIAN CUSTOMERS

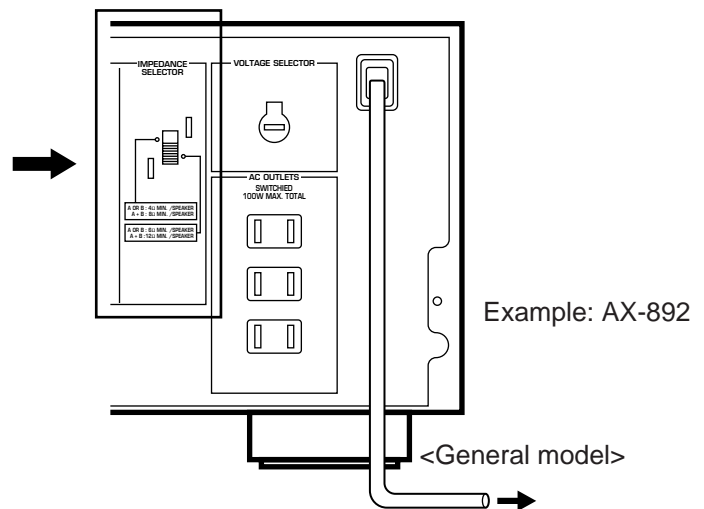
THIS CLASS B DIGITAL APPARATUS MEETS ALL REQUIREMENTS OF THE CANADIAN INTERFERENCE-CAUSING EQUIPMENT REGULATIONS.

WARNING

Do not change the **IMPEDANCE SELECTOR** switch setting while the power to this unit is on, otherwise this unit may be damaged.

IF THIS UNIT FAILS TO TURN ON WHEN THE POWER SWITCH IS PRESSED

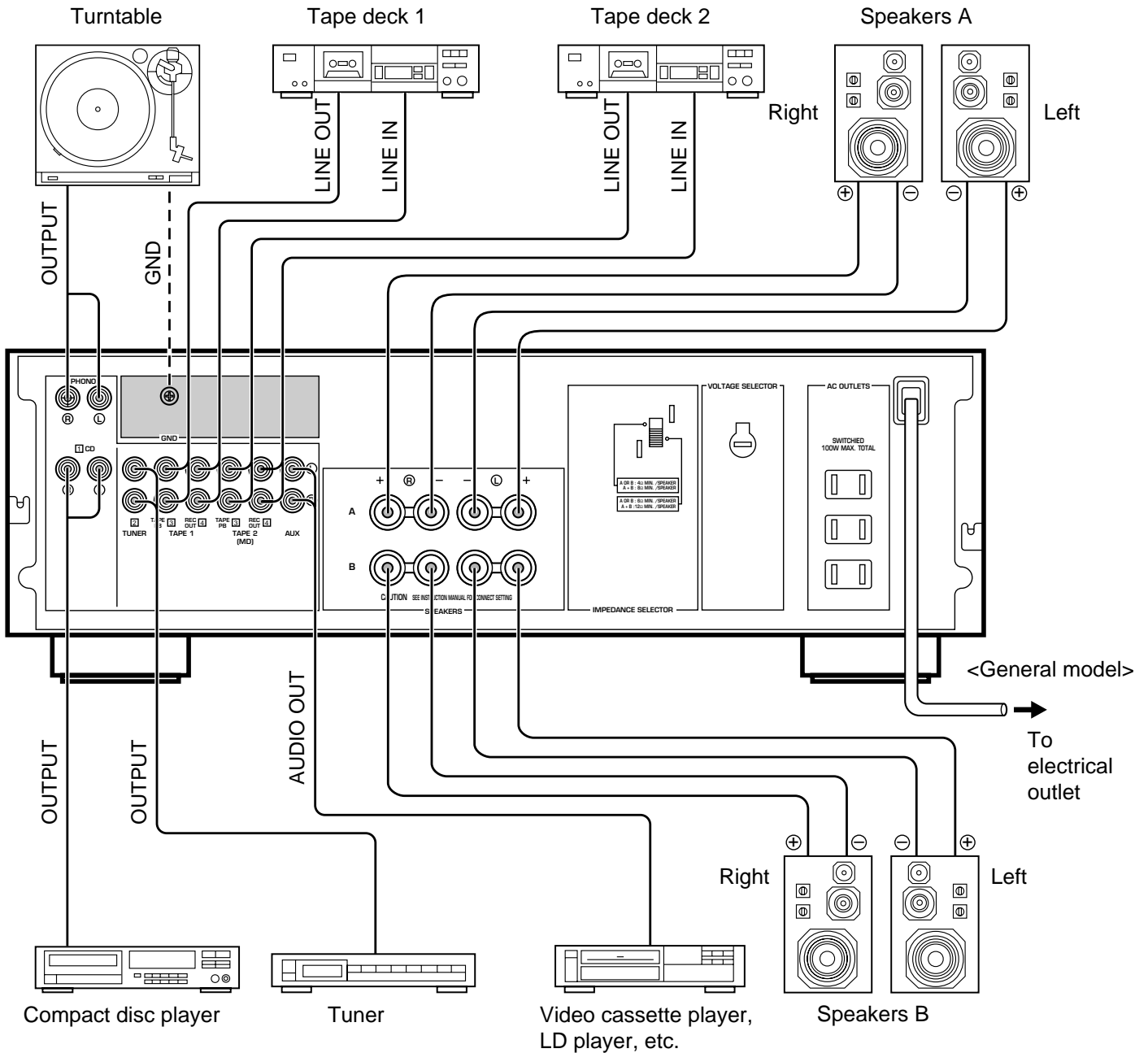
The **IMPEDANCE SELECTOR** switch may not be set to either end closely. If so, set the switch to either end closely.



CONNECTIONS

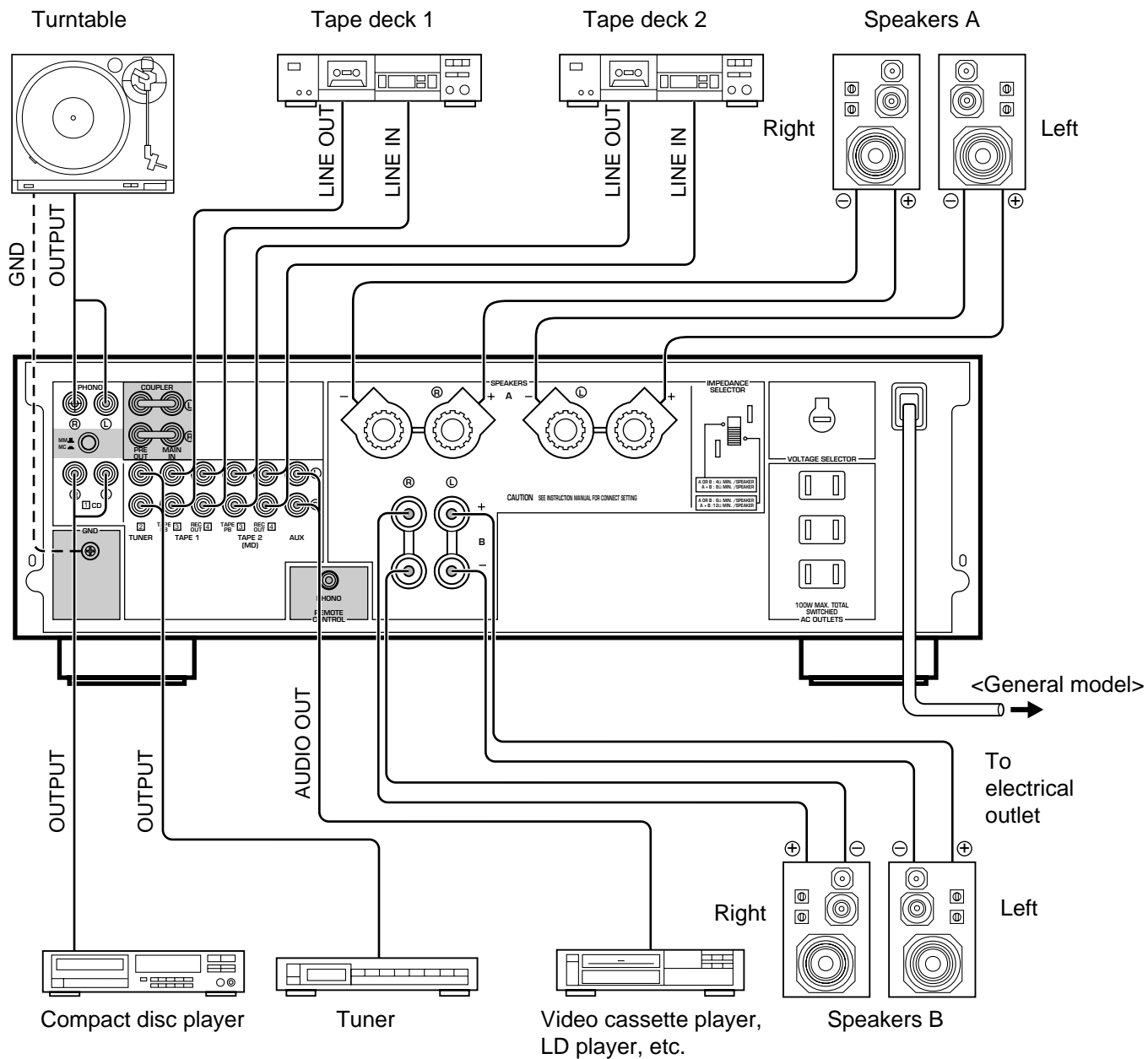
- Before making any connections to or from this unit, first switch it and any other connected components off.
- Properly connect this unit and other components, L (left) to L, R (right) to R, “+” to “+” and “-” to “-”. Also, refer to the owner’s manual of each component which is to be connected to this unit.
- If you have YAMAHA components numbered 1, 2, 3, etc. on the rear panel, connections can easily be made by connecting the output (input) terminals of each component to the same-numbered terminals on this unit.

AX-492



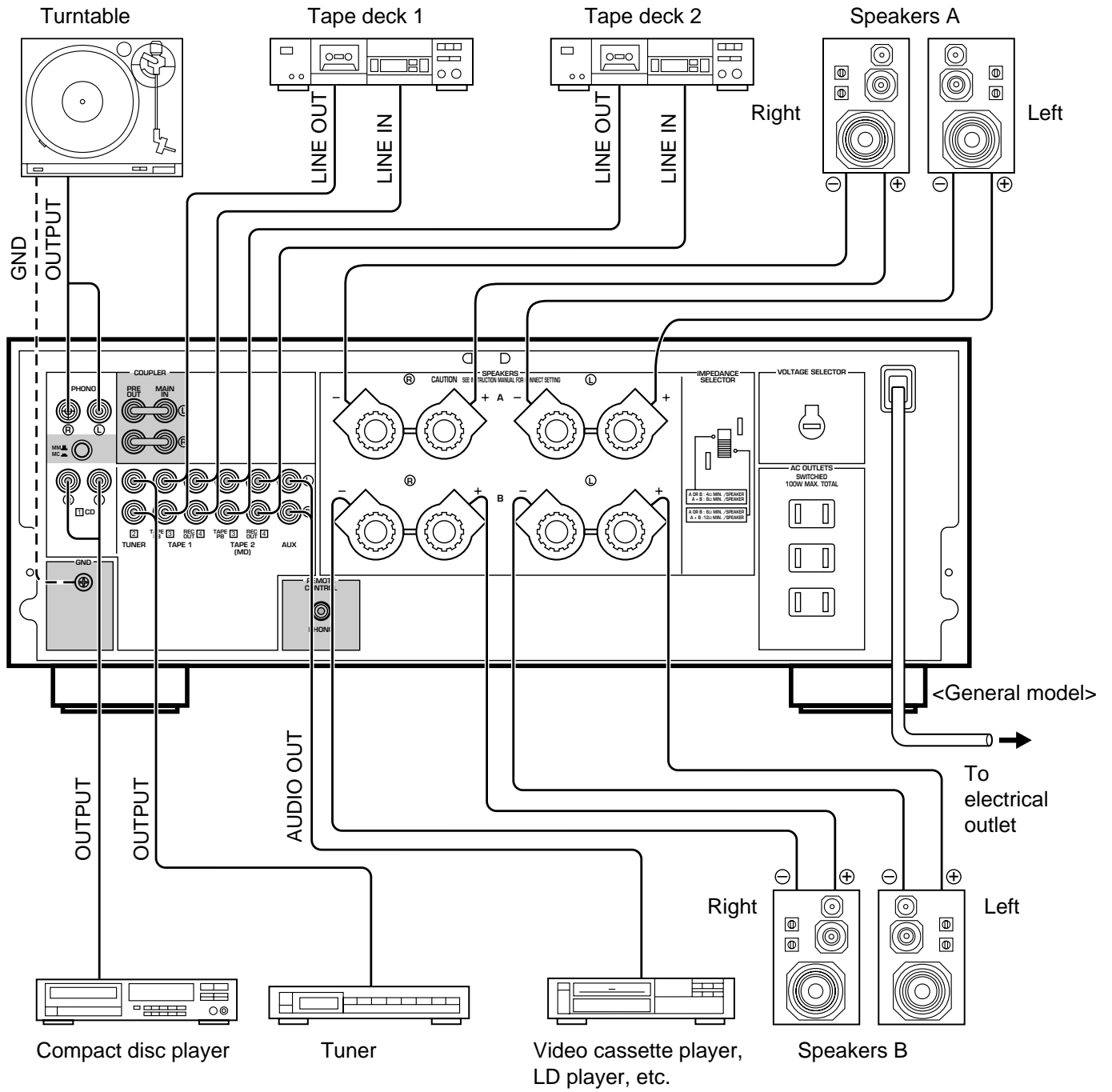
* For descriptions of the shaded areas, refer to page 10.

AX-592



* For descriptions of the shaded areas, refer to page 10.

AX-892



* For descriptions of the shaded areas, refer to page 10.

CONNECTING SPEAKERS

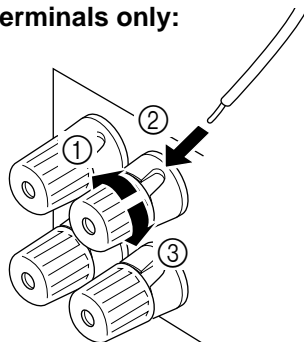
Connect the **SPEAKERS** terminals to your speakers with cable of the proper gauge, cut as short as possible. If the speakers are improperly connected, no sound will be heard. Connect each speaker making sure that the polarity (+ and –) is correct.

Red: positive (+)
Black: negative (–)

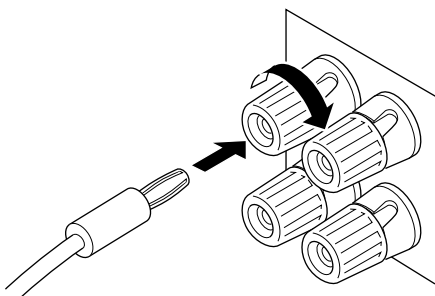
If the cables are reversed, the sound will be unnatural and will lack bass. **Do not allow exposed wires to touch each other or metal parts; this could damage the unit and speakers.**

For AX-492's SPEAKERS A and B terminals and for AX-592's SPEAKERS B terminals only:

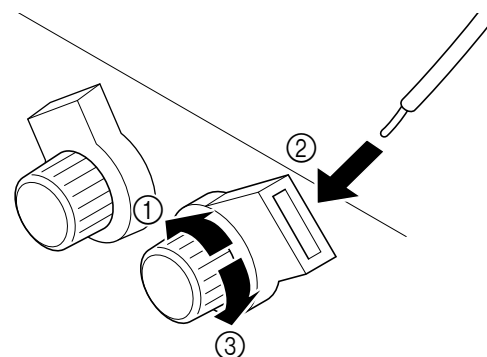
- ① Unscrew the knob.
- ② Insert the exposed wire.
[Remove approx. 5 mm (1/4 in) insulation from the speaker wires.]
- ③ Tighten the knob and secure the wire.



Banana plug connections are also possible. Simply insert the banana plug connector into the corresponding terminal. (except for UK and Europe models)



For AX-592's SPEAKERS A terminals only and for AX-892's SPEAKERS A and B terminals:



- ① Unscrew the knob.
- ② Insert the exposed wire.
[Remove approx. 5 mm (1/4 in) insulation from the speaker wires.]
- ③ Tighten the knob and secure the wire.

REAR PANEL PARTS

AC OUTLETS (SWITCHED)

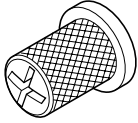
Use these to connect the power cords from your components to this unit.

The power to the **SWITCHED** outlets is controlled by this unit's **POWER** switch or the remote control's **POWER** key. These outlets will supply power to the connected components whenever this unit is turned on.

The maximum power (total power consumption of components) that can be connected to the **AC OUTLETS (SWITCHED)** is 100 watts.

GND terminal (for turntable use)

Connecting the ground wire of the turntable to this terminal will normally minimize hum, but in some cases better results may be obtained with the ground wire disconnected.



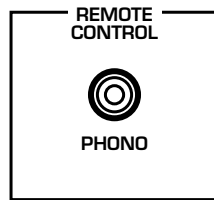
REMOTE CONTROL (PHONO) connector

AX-592 and AX-892 only

If you have a YAMAHA turntable with a terminal for remote control, connect it to this connector using the cable provided with the turntable. This connection allows you to control the turntable with the remote control.



(AX-592)



(AX-892)

PHONO (MM/MC) switch **AX-592 and AX-892 only**

Select either **MM** or **MC** depending on your phono cartridge. If you use a high-output MC cartridge, select **MM**. To select **MC**, press the switch so that it stays in. To select **MM**, press the switch again, so that it releases.

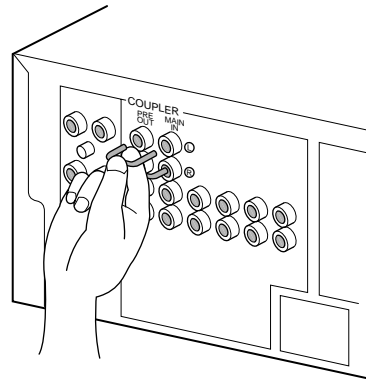


PRE OUT/MAIN IN terminals **AX-592 and AX-892 only**

Removing the jumper pins enables this unit to independently perform the functions of a control amplifier and a power amplifier. These terminals are for connection of a signal-processing system such as a graphic equalizer or sound processor.

If a sound processor or other external unit is connected between these terminals, the **VOLUME** control of this unit can be used for overall adjustment of the sound level.

To connect such a unit, remove the jumper pins from the **PRE OUT/MAIN IN** terminals, connect the inputs of that unit to the **PRE OUT** terminals and its outputs to the **MAIN IN** terminals. For details, refer to the owner's manual included with the unit to be connected.



Note

- If you will not use the **PRE OUT/MAIN IN** terminals, never remove the jumper pins. If removed, no sound will be output from this unit.
- If you will use this unit with an external unit connected between the **PRE OUT** and **MAIN IN** terminals, make sure that the **CD DIRECT AMP** and **PURE DIRECT** switches on the front panel are turned off.
- If you will use this unit as a power amplifier, connect the outputs of an external control amplifier, etc. to this unit's **MAIN IN** terminals. In this case, this unit's controls will not function, except the **PHONES** jack and the **SPEAKERS** switches, so use the controls on the external control amplifier to make volume adjustment, etc.

IMPEDANCE SELECTOR switch

Make sure that the power to the unit is off, before you set the switch.

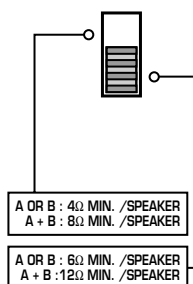
Select the appropriate setting for your speaker system.

Upper position

- 4 Ω :** If you use either speaker system **A** or **B**, the impedance of each speaker must be 4 Ω , or higher.
- 8 Ω :** If you use both speaker systems **A** and **B** at the same time, the impedance of each speaker must be 8 Ω , or higher.

Lower position

- 6 Ω :** If you use either speaker system **A** or **B**, the impedance of each speaker must be 6 Ω , or higher.
- 12 Ω :** If you use both speaker systems **A** and **B** at the same time, the impedance of each speaker must be 12 Ω , or higher.



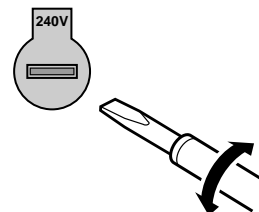
VOLTAGE SELECTOR switch (General model only)

If the pre-set setting is incorrect, set the switch to the proper voltage for your area.

Consult your dealer if you are unsure of the correct setting.

WARNING

Be sure to unplug the unit before setting the **VOLTAGE SELECTOR** switch.



WARNING

Do not change the **IMPEDANCE SELECTOR** switch setting while the power to this unit is on, otherwise this unit may be damaged.

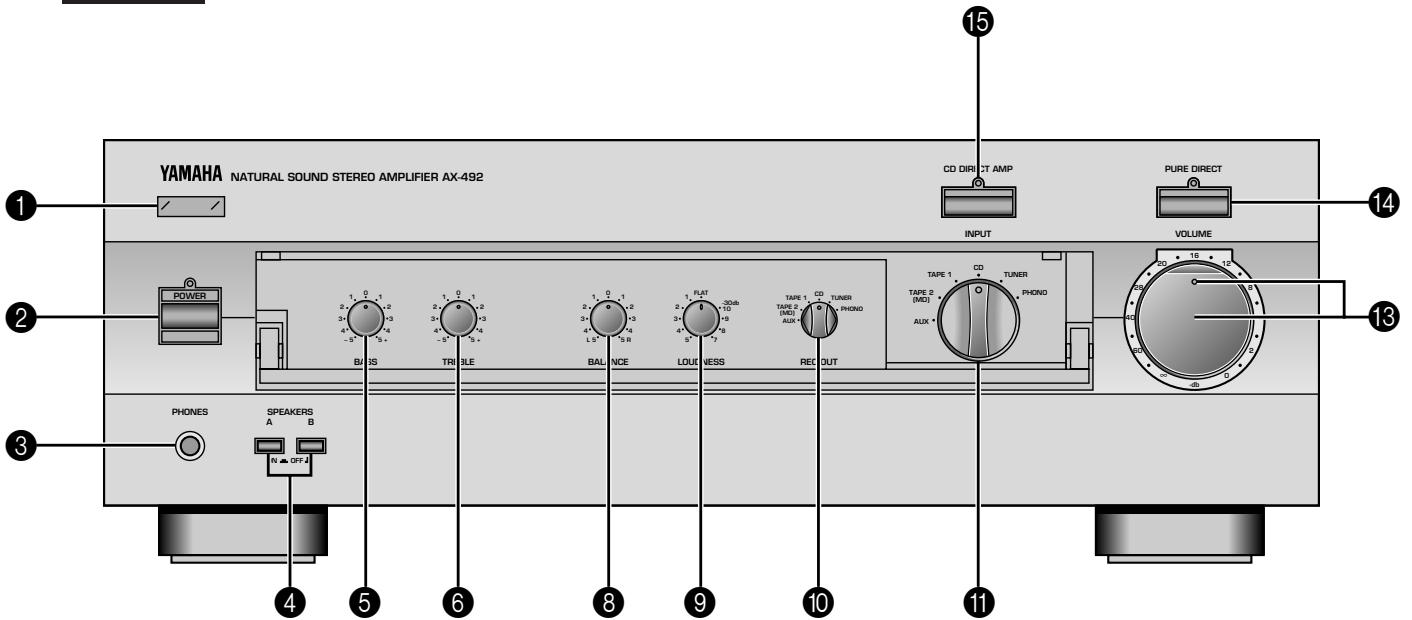
IF THIS UNIT FAILS TO TURN ON WHEN THE POWER SWITCH IS PRESSED

The **IMPEDANCE SELECTOR** switch may not be set to either end closely. If so, set the switch to either end closely.

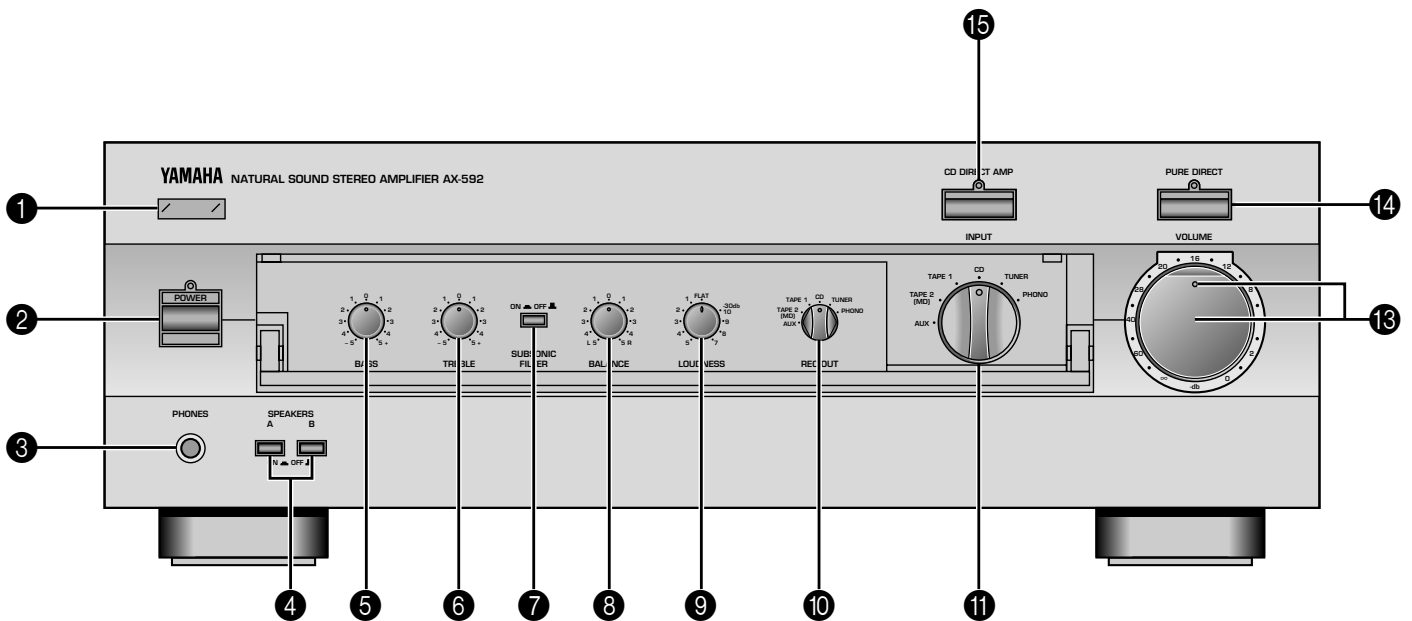
CONTROLS AND THEIR FUNCTIONS

FRONT PANEL

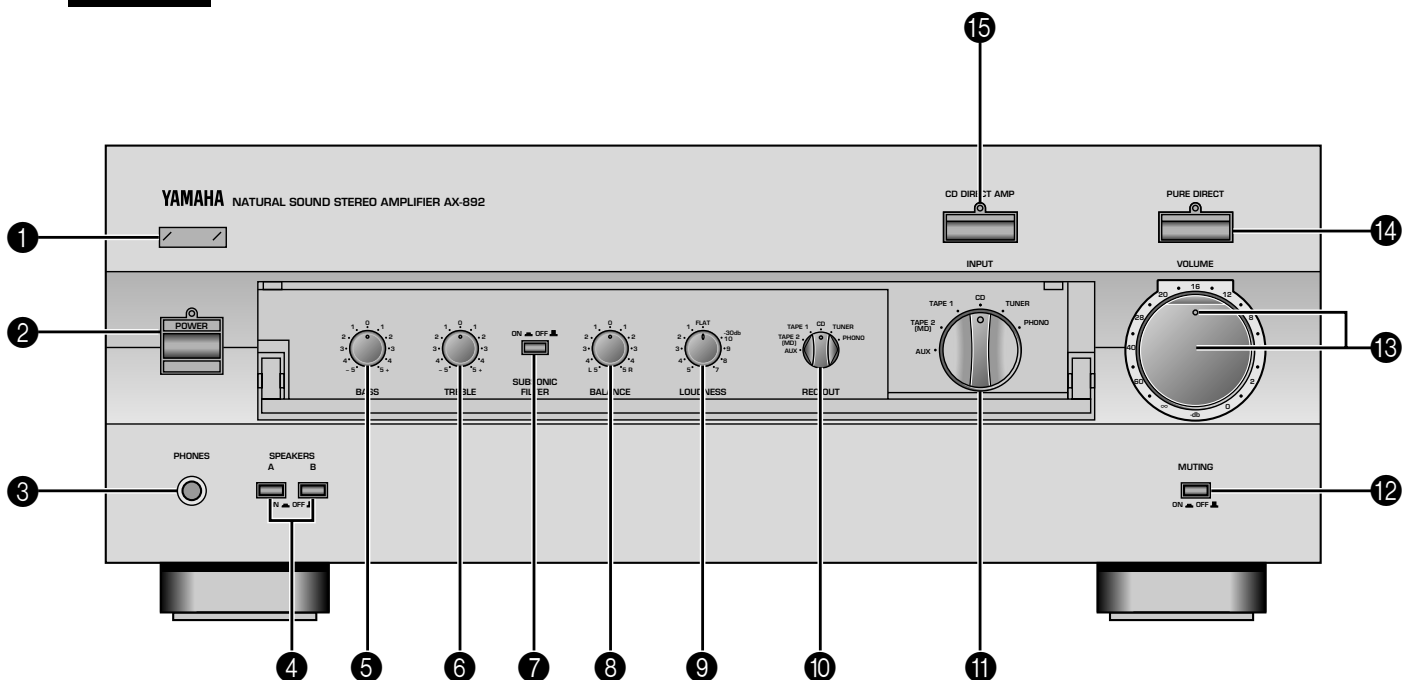
AX-492



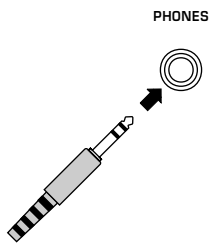
AX-592



AX-892



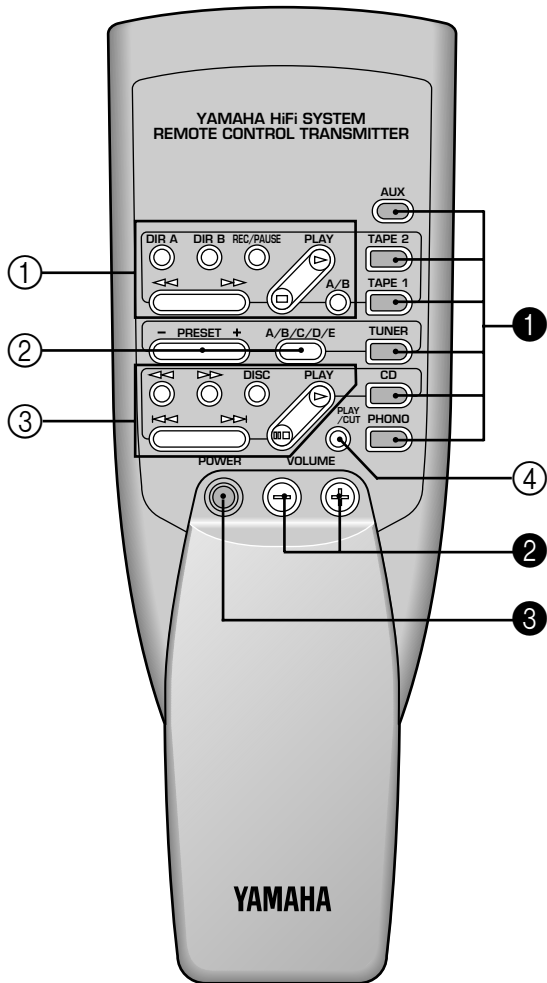
- 1 Remote control sensor**
Receives signals from the remote control.
- 2 POWER switch**
Press this switch to turn the power on and off. When the power is on, the indicator will be illuminated.
*Standby mode <Except for U.S.A. and Canada models>
While the power is on, pressing the **POWER** key on the remote control switches the unit to the standby mode. (In this mode, the power indicator on the unit is half-illuminated.)
- 3 PHONES jack**
When you listen with headphones, connect the headphones to the **PHONES** jack and set both **SPEAKERS A** and **B** switches to **OFF**.
- 4 SPEAKERS switches**
For the desired speaker system(s), set the switch(es) to **ON**. When using only one speaker system, set the other switch to **OFF**.
- 5 BASS control**
Used to increase or decrease the low-frequency response. Selecting "0" produces a flat response.
- 6 TREBLE control**
Used to increase or decrease the high-frequency response. Selecting "0" produces a flat response.
- 7 SUBSONIC FILTER switch** **AX-592 and AX-892 only**
Used to eliminate undesirable ultra-low-frequency signals caused by turntable rumble or warped records without losing sound quality.
- 8 BALANCE control**
Adjusts the balance of the output volume to the left and right speakers to compensate for channel imbalance caused by speaker location or listening room conditions.
- 9 Continuously variable LOUDNESS control**
Used to boost high and low-frequency ranges at low volume. (Refer to page 18.)
- 10 REC OUT selector**
This switch can be used to select a source and send its signal directly to the **REC OUT** terminals on the rear panel, independently of the setting of the **INPUT** selector. This function allows you to record the selected source while listening to another source.
- 11 INPUT selector**
Selects an input source to listen to.
- 12 MUTING switch** **AX-892 only**
Press this switch to temporarily reduce the volume. Press again to cancel the **MUTING** function.
- 13 VOLUME control and indicator**
Used to raise or lower the volume level. **AX-592 and AX-892 only**
- 14 PURE DIRECT switch**
Press this switch (the indicator lights up) to listen to a source in the purest possible sound. (Refer to page 19.)
- 15 CD DIRECT AMP switch**
Press this switch (the indicator lights up) to listen in the purest possible sound from your CD. (Refer to page 19.)



REMOTE CONTROL

The remote control provided with this unit is designed to control all the most commonly used functions of the unit. If the CD player, tuner, turntable and tape deck connected to this unit are YAMAHA components designed for remote control compatibility, then this remote control will also control the various functions of those components.

KEY FUNCTIONS



* The AX-492's remote control does not have a **PLAY/CUT** key.

To control this unit

① Input selector keys

Select an input source.

② VOLUME +/- keys

Adjust the volume level.

③ POWER key

Turns the power on and off.

<Except for U.S.A. and Canada models>

While the power is on, pressing the **POWER** key on the remote control switches the unit from the power-on mode to the standby mode and vice versa. (In this mode, the power indicator on the unit is half-illuminated.)

To control other components

Identify the remote control keys with your component's keys. If the keys are identical, the functions will be the same. If the keys are different, refer to the component's manual for their functions.

① Tape deck keys

Control the tape deck.

- **DIR A**, **DIR B**, and **A/B** are applicable only for a dual tape deck.
- For a single tape deck with an automatic reverse function, pressing **DIR A** will reverse the direction of the tape.

② Tuner keys

Control the tuner.

+: Selects a higher preset station number.

-: Selects a lower preset station number.

A/B/C/D/E: Selects a group (A-E) of preset stations.

③ CD player keys

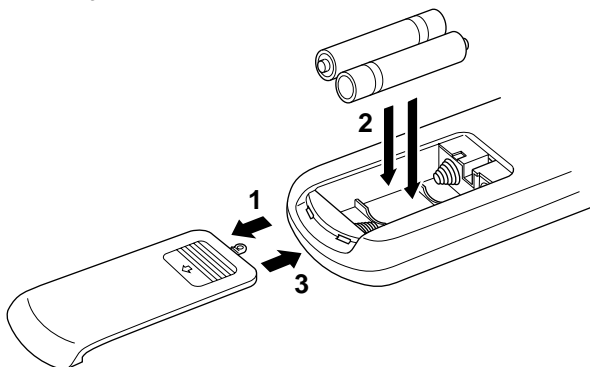
Control the compact disc player.

- **DISC** is applicable only for a compact disc changer.

④ PLAY/CUT key **AX-592 and AX-892 only**

Press **PLAY/CUT** to lower the pick-up arm and press it again to raise the arm.

Battery installation



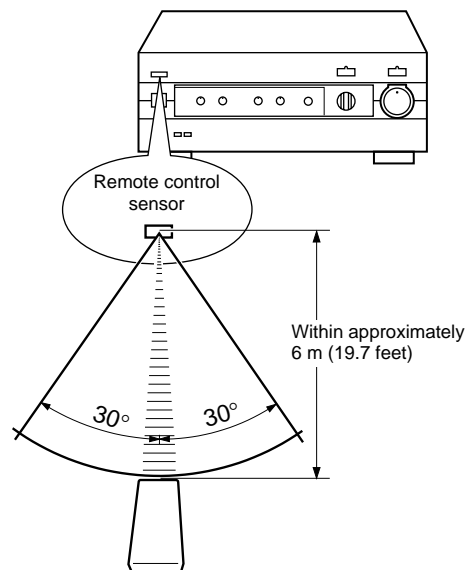
Battery replacement

If you find that the remote control must be used closer to the unit, the batteries are weak. Replace both batteries with new ones.

Note

- Use only AA, R6, UM-3 batteries for replacement.
- Be sure the polarities are correct. (See the illustration inside the battery compartment.)
- Remove the batteries if the remote control will not be used for an extended period of time.
- If batteries leak, dispose of them immediately. Avoid touching the leaked material or letting it come in contact with clothing, etc. Clean the battery compartment thoroughly before installing new batteries.

Remote control operation range



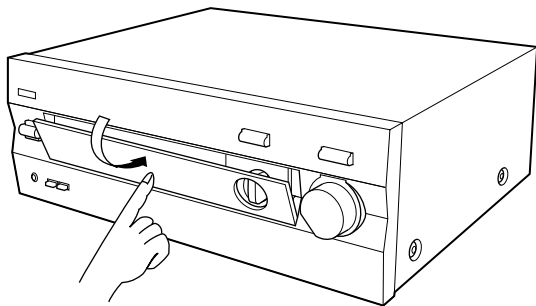
Note

- There should be no large obstacles between the remote control and the unit.
- If the remote control sensor is directly illuminated by strong lighting (especially an inverter type of fluorescent lamp etc.), it might prevent the remote control from working. In this case, reposition the unit to avoid direct lighting.

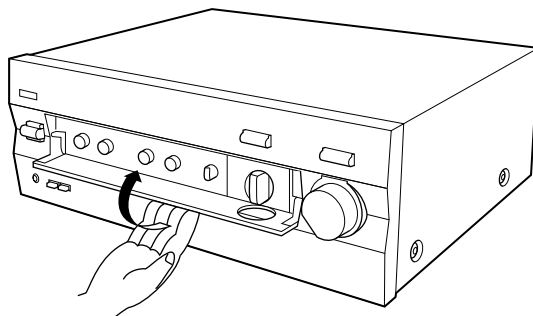
Opening and closing the control door

When using the remote control or when it is not necessary to operate controls inside the control door, close it.

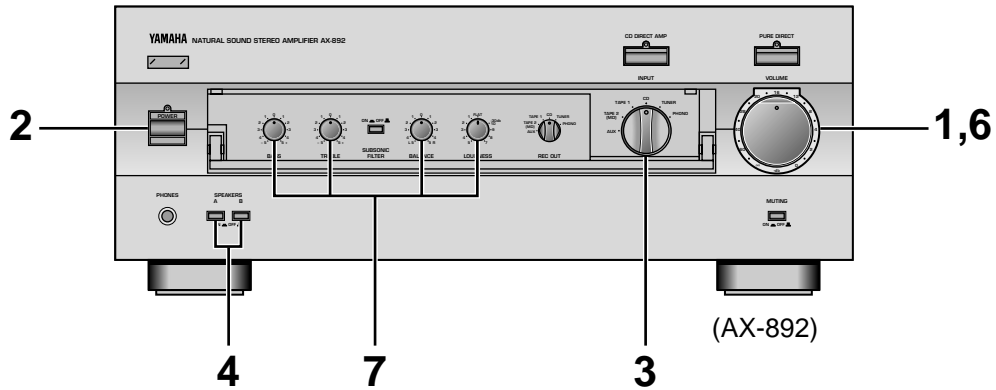
To open the door



To close the door



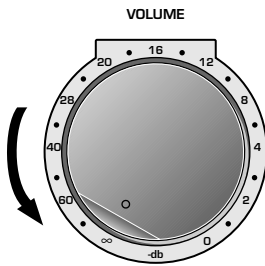
BASIC OPERATIONS



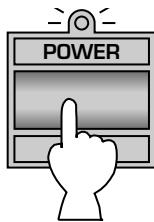
- * The AX-492 does not have a **SUBSONIC FILTER** and **MUTING** switch.
- * The AX-592 does not have a **MUTING** switch.

PLAYING A SOURCE

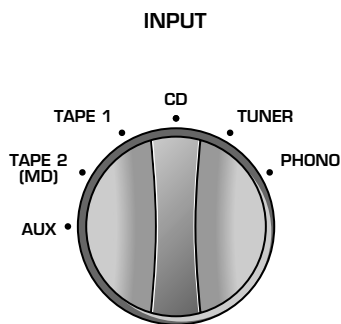
- 1** Turn the control to “∞”.



- 2** Turn the power on.



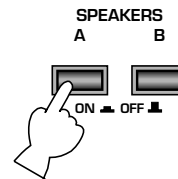
- 3** Select the desired input source.



AX-592 and AX-892 only

- * If you select **PHONO** as an input source, you should make sure that **PHONO (MM/MC)** is switched to the correct position. (Refer to page 10.)

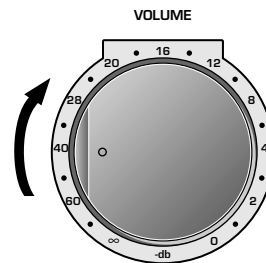
- 4** Select the speakers to be used.



- * Be sure that the **IMPEDANCE SELECTOR** switch is correctly set as explained on page 11.
- * If you use two speaker systems, press both the **A** and **B** switches to **ON**.
- * If you listen with headphones, press both the **A** and **B** switches to **OFF**.

- 5** Play the source.

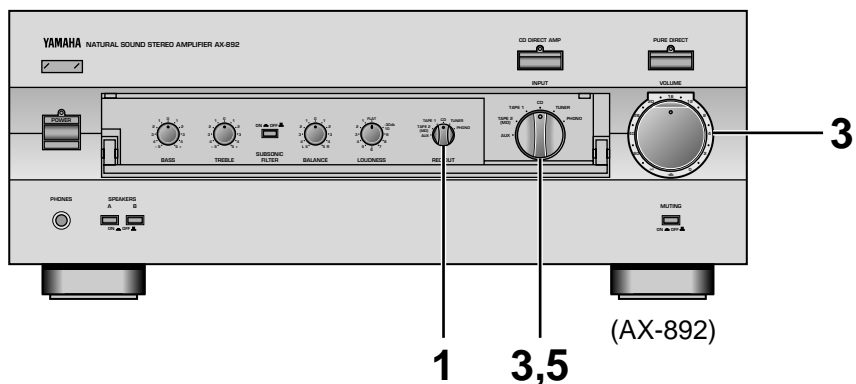
- 6** Adjust the volume to the desired level.



- 7** If needed, adjust the **BASS**, **TREBLE**, **BALANCE**, **LOUDNESS**, etc. controls. (Refer to page 18.)

Note

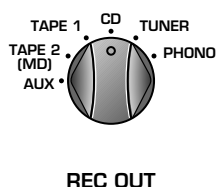
To turn off the power, press the **POWER** switch again.



- * The AX-492 does not have a **SUBSONIC FILTER** and **MUTING** switch.
- * The AX-592 does not have a **MUTING** switch.

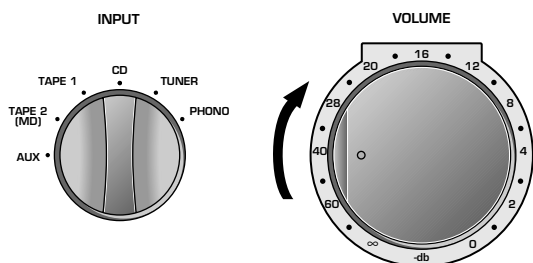
RECORDING A SOURCE TO A TAPE (OR DUBBING FROM TAPE TO TAPE)

1 Select the source to be recorded.



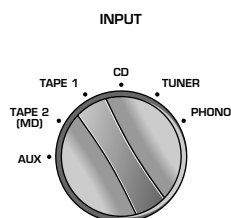
2 Play the source.

3 Select the source with the **INPUT** selector and use the **VOLUME** control to make sure that the proper source is selected.



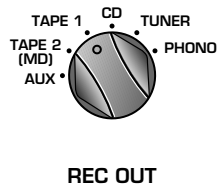
4 Set the tape deck used for recording in the recording mode.

5 To monitor the sound of the recording, select the tape deck being used for recording.

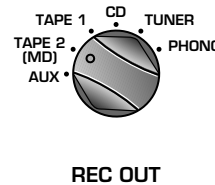


REC OUT selector setting for dubbing tape to tape

To tape from tape deck 1 to tape deck 2.



To tape from tape deck 2 to tape deck 1.

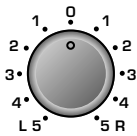


Note

- If you want to listen to another source while recording, select it with the **INPUT** selector.
- **VOLUME, BASS, TREBLE, BALANCE, and LOUDNESS** controls and **CD DIRECT AMP, PURE DIRECT, SUBSONIC FILTER** (AX-592 and AX-892 only) and the **MUTING** switch (AX-892 only) have no effect on the material being recorded.

Adjusting the BALANCE control

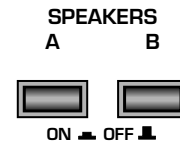
Adjusts the balance of the output volume to the left and right speakers to compensate for channel imbalance caused by speaker location or listening room conditions.



BALANCE

Selecting the SPEAKER system

One or two speaker systems can be connected to this unit, allowing you to select speaker system **A** or **B**, or both.

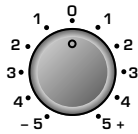


* Be sure that the **IMPEDANCE SELECTOR** switch is correctly set as explained on page 11.

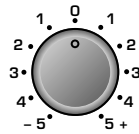
Adjusting the BASS and TREBLE controls

BASS: Turn this control clockwise to increase (or counterclockwise to decrease) the low-frequency response.

TREBLE: Turn this control clockwise to increase (or counterclockwise to decrease) the high-frequency response.



BASS



TREBLE

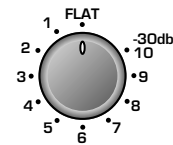
Note

Selecting "0" produces a flat response.

Adjusting the continuously variable LOUDNESS control

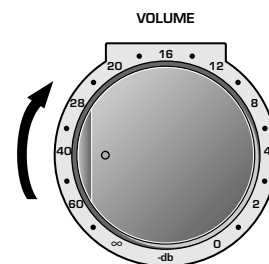
This control provides compensation for the human ears' loss of sensitivity to high and low-frequency ranges at low volume. This control is adjustable to retain full tonal range at any volume level.

1 Set the control to "FLAT".

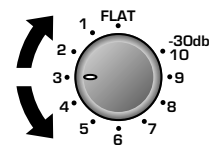


LOUDNESS

2 Set the volume to the highest desired listening level.



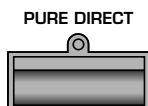
3 Turn until the desired volume is gained.



LOUDNESS

Using the PURE DIRECT switch

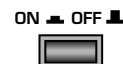
You can enjoy the purest possible sound from your sources by setting this switch so that the indicator illuminates. The signals bypass the **BASS**, **TREBLE**, **BALANCE** and **LOUDNESS** controls, the **SUBSONIC FILTER** switch (AX-592 and AX-892 only), and the **PRE OUT/MAIN IN** terminals (AX-592 and AX-892 only), eliminating any alterations to the signals.



Setting the SUBSONIC FILTER switch

AX-592 and AX-892 only

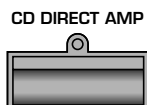
When this switch is set **ON**, undesirable ultra-low-frequency signals caused by turntable rumble or warped records can be eliminated without losing sound quality.



SUBSONIC
FILTER

Using the CD DIRECT AMP switch

For the best CD sound, set this switch so the indicator illuminates. The CD input signal is sent to a separate circuit, bypassing the **INPUT** selector, **BASS**, **TREBLE**, **BALANCE** and **LOUDNESS** controls, **SUBSONIC FILTER** switch (AX-592 and AX-892 only), and the **PRE OUT/MAIN IN** terminals (AX-592 and AX-892 only) and then goes directly to the amplifier. This signal routing ensures the purest CD sound, eliminating any alterations to the original CD signals.



Using the MUTING switch

AX-892 only

Selecting **ON** temporarily reduces the volume.



Note

If both the **CD DIRECT AMP** and **PURE DIRECT** switches are on, only the **CD DIRECT AMP** switch will function.

WARNING

When the **LOUDNESS** control has been set, if the **PURE DIRECT** switch or the **CD DIRECT AMP** switch is pressed, the sound will suddenly increase and may damage your ears or the speaker (the **LOUDNESS** control function may be bypassed). Therefore, only press the **PURE DIRECT** switch or the **CD DIRECT AMP** switch after lowering the volume or after checking that the **LOUDNESS** control is properly set.

TROUBLESHOOTING

If the unit fails to operate normally, check the following points to determine whether the fault can be corrected by the simple measures suggested. If it cannot be corrected, or if the fault is not listed in the SYMPTOM column, disconnect the AC power plug and contact your authorized YAMAHA dealer or service center for help.

SYMPTOM	CAUSE	REMEDY
The unit fails to turn on when the POWER switch is pressed, or turns off suddenly soon after the power is turned on.	The AC power plug is not plugged in or is not completely inserted.	Firmly plug in the AC power plug.
	The IMPEDANCE SELECTOR switch on the rear panel is not set to the upper or the lower end exactly.	Set the switch to the upper or the lower end exactly.
No sound.	Incorrect output cable connections.	Connect the cables properly. If the problem persists, the cables may be defective.
	The appropriate input source is not selected.	Select an appropriate input source with the INPUT selector.
	The SPEAKERS switches are not set properly.	Set the SPEAKERS switch, which corresponds to the speakers to be used, to ON .
	Speaker connections are not secure.	Secure the connections.
	The jumper pins (PRE OUT/MAIN IN) are not connected properly. (AX-592 and AX-892 only)	Connect the jumper pins properly. (AX-592 and AX-892 only)
Sound level is too low.	The MUTING switch is pushed in. (Muting is on) (AX-892 only)	Push the MUTING switch again. (Muting is off) (AX-892 only)
The sound suddenly goes off.	The protection circuit has been activated because of a short circuit, etc.	Turning the unit off and then on will reset the protection circuit.
Only one speaker outputs sound.	Incorrect setting of the BALANCE control.	Adjust it to the appropriate position.
	Incorrect cable connections.	Connect the cables properly. If the problem persists, the cables may be defective.
There is a lack of bass and no ambience.	The cable polarity is reversed at the amplifier or speakers.	Connect the speaker cables correctly.
The sound "hums".	Incorrect cable connections.	Firmly connect the cables. If the problem persists, the cables may be defective.
	No connection from the turntable to the GND terminal.	Make the GND connection between the turntable and this unit.
Sound level is low or sound is distorted while playing a record on the turntable.	The LOUDNESS control is functioning.	Set the LOUDNESS control to the FLAT position.
	The PHONO (MM/MC) switch is set to the improper position (AX-592 and AX-892 only).	Set the PHONO (MM/MC) switch to the proper position (AX-592 and AX-892 only).
The volume level cannot be increased, or sound is distorted.	The power to the component connected to the REC OUT terminals of this unit is off.	Turn the power to the component on.
Using the BASS, TREBLE, BALANCE, and LOUDNESS controls and SUBSONIC FILTER switch (AX-592 and AX-892 only) does not affect the tone.	The CD DIRECT AMP or PURE DIRECT switch is on.	The CD DIRECT AMP and PURE DIRECT switches must be switched off to use those controls.
The input source can not be changed, though the INPUT selector is turned.	The CD DIRECT AMP switch is on.	Switch off the CD DIRECT AMP switch.
The remote control does not work.	Direct sunlight or lighting (of an inverter type of fluorescent lamp etc.) is striking the remote control sensor of the unit.	Change the position of the unit.
The distance or range within which the remote control can be used decreases.	The batteries of the remote control are too weak.	Replace the batteries with new ones.
The sound is degraded when listening with the headphones connected to the compact disc player or cassette deck that are connected with this unit.	The power to this unit is off.	Turn the power to this unit on.

SPECIFICATIONS (AX-492)

AUDIO SECTION

Minimum RMS Output Power per Channel
 8 ohms, 20 Hz to 20 kHz, 0.019% THD
85W+85W
 6 ohms, 20 Hz to 20 kHz, 0.038% THD
100W+100W

Dynamic Power per Channel
 (by IHF Dynamic Headroom measuring
 method)
 8/6/4/2 ohms130/150/185/220W

DIN Standard Output Power per Channel
 [Europe model only]
 (4 ohms, 1 kHz, 0.7% THD)120W

IEC Power [Europe model only]
 (8 ohms, 1 kHz, 0.019% THD)100W

Power Band Width
 8 ohms, 42.5W, 0.038% THD
10 Hz to 50 kHz

Damping Factor SP-A
 8 ohms, 20 Hz–20 kHz240 or more

Maximum Output Power (EIAJ)
 [General model only]
 8 ohms, 1 kHz, 10% THD130W
 6 ohms, 1 kHz, 10% THD150W

Input Sensitivity/Impedance
 PHONO2.5 mV/47 k-ohms
 CD/TUNER/TAPE/AUX150 mV/47 k-ohms

Maximum Input Signal (1 kHz, 0.003% THD)
 PHONO115 mV

Output Level/Impedance
 REC OUT150 mV/0.6 k-ohms

Headphone Jack Rated Output/ Impedance
 Output Level (8 ohms, 0.019% THD)
0.3V
 Impedance680 ohms

Frequency Response (20 Hz to 20 kHz)
 CD/TUNER/TAPE/AUX0±0.5 dB

RIAA Equalization Deviation
 PHONO0±0.3 dB

Total Harmonic Distortion (20 Hz to 20 kHz)
 PHONO to REC OUT (3V)0.003%
 CD/TUNER/TAPE/AUX to SP OUT
 (42.5W/8 ohms)0.008%

Signal-to-Noise Ratio (IHF-A Network)
 PHONO (5 mV Input Shorted) 88 dB
 CD (CD DIRECT AMP ON, Shorted)... 110 dB

Residual Noise (IHF-A Network)
 CD (CD DIRECT AMP ON)35 µV
 PURE DIRECT ON90 µV

Channel Separation
 CD/TUNER/TAPE/AUX (Input 5.1 k-ohms
 Terminated 1 kHz/10 kHz).....65 dB/50 dB

Tone Control Characteristics
 BASS: Boost/cut±10 dB (20 Hz)
 Turnover Frequency(350 Hz)
 TREBLE: Boost/cut±10 dB (20 kHz)
 Turnover Frequency(3.5 kHz)

Continuous Loudness Control
 Attenuation–30 dB (1 kHz)
 (Level related equalization)

Gain Tracking Error (0 to –60 dB)2 dB

GENERAL

Power Supply
 [Europe and U.K. models] ...AC 230V, 50 Hz
 [General model]
AC 110/120/220/240V, 60/50 Hz

Power Consumption210W

AC Outlets
 [Europe and General models]
 3 SWITCHED OUTLETS ..100W max. total
 [U.K. model]
 1 SWITCHED OUTLET100W max. total

Dimensions (W x H x D)
435 x 151 x 391 mm
 (17-1/8" x 6.0" x 15-3/8")

Weight9.6 kg (21 lbs. 1 oz.)

AccessoriesRemote control transmitter
 Batteries

Specifications subject to change without notice.

SPECIFICATIONS (AX-592)

AUDIO SECTION

Minimum RMS Output Power per Channel
8 ohms, 20 Hz to 20 kHz, 0.015% THD
.....100W+100W
6 ohms, 20 Hz to 20 kHz, 0.03% THD
.....120W+120W

Dynamic Power per Channel
(by IHF Dynamic Headroom measuring
method)
8/6/4/2 ohms140/170/220/290W

DIN Standard Output Power per Channel
[Europe model only]
(4 ohms, 1 kHz, 0.7% THD)155W

IEC Power [Europe model only]
(8 ohms, 1 kHz, 0.015% THD)110W

Power Band Width
8 ohms, 50W, 0.03% THD
.....10 Hz to 50 kHz

Damping Factor SP-A
8 ohms, 20 Hz–20 kHz320 or more

Maximum Output Power (EIAJ)
[General model only]
8 ohms, 1 kHz, 10% THD145W
6 ohms, 1 kHz, 10% THD170W

Input Sensitivity/Impedance
PHONO MM2.5 mV/47 k-ohms
PHONO MC160 μ V/250 ohms
CD/TUNER/TAPE/AUX150 mV/47 k-ohms
MAIN IN1 V/30 k-ohms

Maximum Input Signal (1 kHz, 0.007% THD)
PHONO MM150 mV
PHONO MC10 mV

Output Level/Impedance
REC OUT150 mV/0.6 k-ohms
PRE OUT1 V/1.2 k-ohms

Headphone Jack Rated Output/ Impedance
Output Level (8 ohms, 0.015% THD)
.....0.33V
Impedance680 ohms

Frequency Response (20 Hz to 20 kHz)
CD/TUNER/TAPE/AUX0 \pm 0.5 dB
MAIN IN0 \pm 0.5 dB

RIAA Equalization Deviation
PHONO MM0 \pm 0.3 dB
PHONO MC0 \pm 0.5 dB

Total Harmonic Distortion (20 Hz to 20 kHz)
PHONO MM to REC OUT (3V)0.003%
PHONO MC to REC OUT (3V)0.007%
CD/TUNER/TAPE/AUX to PRE OUT (1 V)
.....0.005%
CD/TUNER/TAPE/AUX to SP OUT
(50W/8 ohms)0.008%

Signal-to-Noise Ratio (IHF-A Network)
PHONO MM (5 mV Input Shorted) 92 dB
PHONO MC (500 μ V Input Shorted) ... 76 dB
CD (CD DIRECT AMP ON Shorted) ... 110 dB

Residual Noise (IHF-A Network)
CD (CD DIRECT AMP ON)35 μ V
PURE DIRECT ON 90 μ V

Channel Separation
CD/TUNER/TAPE/AUX (Input 5.1 k-ohms
Terminated 1 kHz/10 kHz)65 dB/50 dB

Tone Control Characteristics
BASS: Boost/cut \pm 10 dB (20 Hz)
Turnover Frequency(350 Hz)
TREBLE: Boost/cut \pm 10 dB (20 kHz)
Turnover Frequency(3.5 kHz)

Filter Characteristics
SUBSONIC FILTER15 Hz, -18 dB/oct

Continuous Loudness Control
Attenuation-30 dB (1 kHz)
(Level related equalization)

Gain Tracking Error (0 to -60 dB)2 dB

GENERAL

Power Supply
[U.S.A. and Canada models]
.....AC 120 V, 60 Hz
[Australia model]AC 240 V, 50 Hz
[Europe and U.K. models] ..AC 230 V, 50 Hz
[General model]
.....AC 110/120/220/240V, 60/50 Hz

Power Consumption220W
[U.S.A model only]200W

AC Outlets
[U.S.A., Europe, Canada and General models]
3 SWITCHED OUTLETS ..100W max. total
[Australia and U.K. models]
1 SWITCHED OUTLET100W max. total

Dimensions (W x H x D)
.....435 x 151 x 396 mm
(17-1/8" x 6.0" x 15-1/2")

Weight10.6 kg (23 lbs. 4 oz.)

AccessoriesRemote control transmitter
Batteries

Specifications subject to change without
notice.

SPECIFICATIONS (AX-892)

AUDIO SECTION

Minimum RMS Output Power per Channel
 8 ohms, 20 Hz to 20 kHz, 0.015% THD
115W+115W
 6 ohms, 20 Hz to 20 kHz, 0.03% THD
140W+140W

Dynamic Power per Channel
 (by IHF Dynamic Headroom measuring
 method)
 8/6/4/2 ohms150/200/250/330W

DIN Standard Output Power per Channel
 [Europe model only]
 (4 ohms, 1 kHz, 0.7% THD)190W

IEC Power [Europe model only]
 (8 ohms, 1 kHz, 0.015% THD)125W

Power Band Width
 8 ohms, 57.5W, 0.03% THD
10 Hz to 50 kHz

Damping Factor SP-A
 8 ohms, 20 Hz–20 kHz320 or more

Maximum Output Power (EIAJ)
 [General model only]
 8 ohms, 1 kHz, 10% THD160W
 6 ohms, 1 kHz, 10% THD190W

Input Sensitivity/Impedance
 PHONO MM2.5 mV/47 k-ohms
 PHONO MC160 μ V/250 ohms
 CD/TUNER/TAPE/AUX150 mV/47 k-ohms
 MAIN IN1 V/30 k-ohms

Maximum Input Signal (1 kHz, 0.007% THD)
 PHONO MM150 mV
 PHONO MC10 mV

Output Level/Impedance
 REC OUT150 mV/0.6 k-ohms
 PRE OUT1 V/1.2 k-ohms

Headphone Jack Rated Output/ Impedance
 Output Level (8 ohms, 0.015% THD)
0.35V
 Impedance.....680 ohms

Frequency Response (20 Hz to 20 kHz)
 CD/TUNER/TAPE/AUX0 \pm 0.5 dB
 MAIN IN0 \pm 0.5 dB

RIAA Equalization Deviation
 PHONO MM.....0 \pm 0.3 dB
 PHONO MC0 \pm 0.5 dB

Total Harmonic Distortion (20 Hz to 20 kHz)
 PHONO MM to REC OUT (3V)0.003%
 PHONO MC to REC OUT (3V)0.007%
 CD/TUNER/TAPE/AUX to PRE OUT (1 V)
0.005%
 CD/TUNER/TAPE/AUX to SP OUT
 (57.5W/8 ohms)0.008%

Signal-to-Noise Ratio (IHF-A Network)
 PHONO MM (5 mV Input Shorted) 92 dB
 PHONO MC (500 μ V Input Shorted) ... 76 dB
 CD (CD DIRECT AMP ON Shorted) ... 110 dB

Residual Noise (IHF-A Network)
 CD (CD DIRECT AMP ON) 35 μ V
 PURE DIRECT ON 90 μ V

Channel Separation
 CD/TUNER/TAPE/AUX (Input 5.1 k-ohms
 Terminated 1 kHz/10 kHz).....65 dB/50 dB

Tone Control Characteristics
 BASS: Boost/cut \pm 10 dB (20 Hz)
 Turnover Frequency(350 Hz)
 TREBLE: Boost/cut..... \pm 10 dB (20 kHz)
 Turnover Frequency.....(3.5 kHz)

Filter Characteristics
 SUBSONIC FILTER15 Hz, -18 dB/oct

Continuous Loudness Control
 Attenuation-30 dB (1 kHz)
 (Level related equalization)

AUDIO MUTING- 20dB

Gain Tracking Error (0 to -60 dB)2 dB

GENERAL

Power Supply
 [Europe model]AC 230V, 50 Hz
 [General model]
AC 110/120/220/240V, 60/50 Hz

Power Consumption270W

AC Outlets
 3 SWITCHED OUTLETS100W max. total

Dimensions (W x H x D)
435 x 171 x 396 mm
 (17-1/8" x 6-3/4" x 15-1/2")

Weight13 kg (28 lbs. 10 oz.)

AccessoriesRemote control transmitter
 Batteries

Specifications subject to change without notice.

CARACTERISTIQUES TECHNIQUES (AX-892)

SECTION AUDIO

Puissance de sortie minimum RMS par canal
8 ohms, 20 Hz à 20 kHz, 0,015% de DHT
.....115 W+115 W
6 ohms, 20 Hz à 20 kHz, 0,03% de DHT
.....140 W+140 W

Puissance dynamique par canal
(Mesurée par la méthode IHF Dynamic
Headroom)
8/6/4/2 ohms150/200/250/330 W

Puissance de sortie standard DIN par canal
[Modèle pour l'Europe seulement]
(4 ohms, 1 kHz, 0,7% de DHT)190 W

Puissance IEC
[Modèle pour l'Europe seulement]
(8 ohms, 1 kHz, 0,015% de DHT)125 W

Largeur de bande de puissance
8 ohms, 57,5W, 0,03% de DHT
.....10 Hz à 50 kHz

Facteur d'amortissement SP-A
8 ohms, 20 Hz à 20 kHz320 ou plus

Puissance de sortie maximum (EIAJ)
[Modèle général seulement]
8 ohms, 1 kHz, 10% de DHT160 W
6 ohms, 1 kHz, 10% de DHT190 W

Sensibilité d'entrée/impédance
PHONO MM2,5 mV/47 k-ohms
PHONO MC160 µV/250 ohms
CD/TUNER/TAPE/AUX
.....150 mV/47 k-ohms
MAIN IN1 V/30 k-ohms

Signal d'entrée maximum
(1 kHz, 0,007% de DHT)
PHONO MM150 mV
PHONO MC10 mV

Niveau de sortie/impédance
REC OUT150 mV/0,6 k-ohms
PRE OUT1 V/1,2 k-ohms

Sortie nominale de prise de
casque/impédance
Niveau de sortie (8 ohms, 0,015% de DHT)
.....0,35V
Impédance680 ohms

Réponse en fréquence (20 Hz à 20 kHz)
CD/TUNER/TAPE/AUX0±0,3 dB
MAIN IN0±0,5 dB

Déviations d'égalisation RIAA
PHONO MM0±0,3 dB
PHONO MC0±0,5 dB

Distorsion harmonique totale (20 Hz à 20 kHz)
PHONO MM à REC OUT (3V)0,003%
PHONO MC à REC OUT (3V)0,007%
CD/TUNER/TAPE/AUX à PRE OUT (1V)
.....0,005%
CD/TUNER/TAPE/AUX à SP OUT
(57,5W/8 ohms)0,008%

Rapport signal/bruit (IHF réseau A)
PHONO MM (5 mV entrée court-circuitée)
.....92 dB
PHONO MC (500 µV entrée court-
circuitée)76 dB
CD (CD DIRECT AMP ON court-circuitée)
.....110 dB

Bruit résiduel (IHF réseau A)
CD (CD DIRECT AMP ON)35 µV
PURE DIRECT ON90 µV

Séparation des canaux
CD/TUNER/TAPE/AUX (entrée terminée 5,1
k-ohms 1 kHz/10 kHz)65 dB/50 dB

Caractéristiques de contrôle de la tonalité
BASS: Augmentation/coupage
.....±10 dB (20 Hz)
Fréquence de renversement
.....350 Hz
TREBLE: Augmentation/coupage
.....±10 dB (20 kHz)
Fréquence de renversement
.....3,5 kHz

Filtre
SUBSONIC FILTER15 Hz, -18 dB/oct

Contrôle de contour continu
Atténuation-30 dB (1 kHz)
(Egalisation reliée au niveau)

AUDIO MUTING-20 dB
Erreur du contrôle de gain (0 à -60 dB) ...2 dB

CARACTERISTIQUES GENERALES

Alimentation
[Modèle pour l'Europe]CA 230V, 50 Hz
[Modèle général]
.....CA 110/120/220/240V, 60/50 Hz

Consommation270 W

Prises CA
3 PRISES COMMUTEES
.....100 W max. au total

Dimensions (L x H x P)
.....435 x 171 x 396 mm

Poids13 kg

AccessoiresEmetteur de télécommande
Piles

Caractéristiques techniques modifiables sans
préavis.

YAMAHA